

Low-voltage Self-healing Shunt Capacitor



CMC/CMO series PFC power factor correction application



FEATURES

- CMO (oval type) & CMC (cylindrical type)
- Dry type design
- Self-healing
- Over-pressure disconnecter inside
- 100% tested before delivery

APPLICATIONS

- Power factor correction

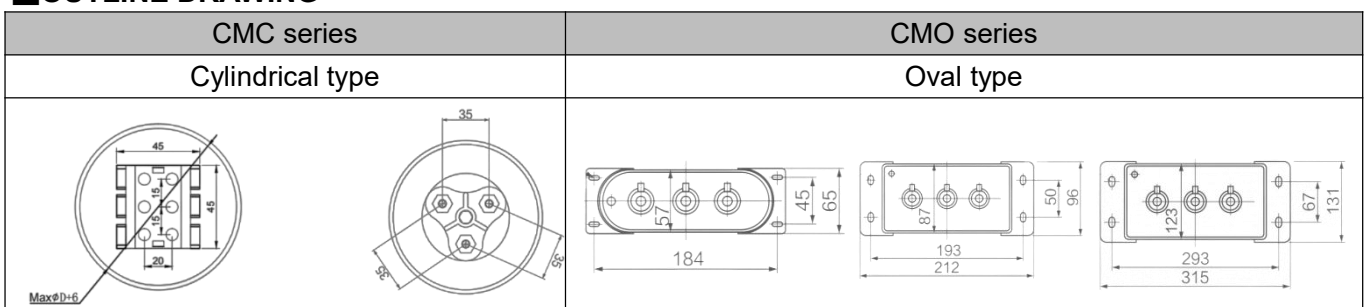
CMC/CMO SERIES LV SHUNT CAPACITOR

The power factor correction (PFC) capacitor is the self-healing type capacitor use for correcting the power factor of 50Hz and 60Hz low voltage power system device. The film is strictly selected according to withstand voltage, and more than 20% of safety allowance is retained, ensuring that every capacitor has a high capacity of over-voltage and over-current resistance. Using the most advanced Metar SA automatic production line for capacitors, every capacitor has to be tested before it goes out to ensure the quality and service life. It is suit for compensation on the spot and concentrate auto compensation, can reduce reactive loss, improve voltage quality, is a energy conservation product. The product is according to IEC60831-1/2.

ELECTRICAL CHARACTERISTICS

Power Range:	1~200kvar
Rated AC Voltage (50/60Hz, U_n):	0.13~2kV _{ac}
Capacitance Tolerance:	0~+10%
Rated Frequency:	50/60Hz
Dissipation Factor:	$Tg\theta \leq 0.001$
Operating Temperature:	-25°C ~ +50°C
Max. Altitude:	< 2000m
Test voltage between terminals:	2.15 U_n / 5s
Max. Overload voltage:	1.1 U_n
Max. Overload current:	1.3 I_n

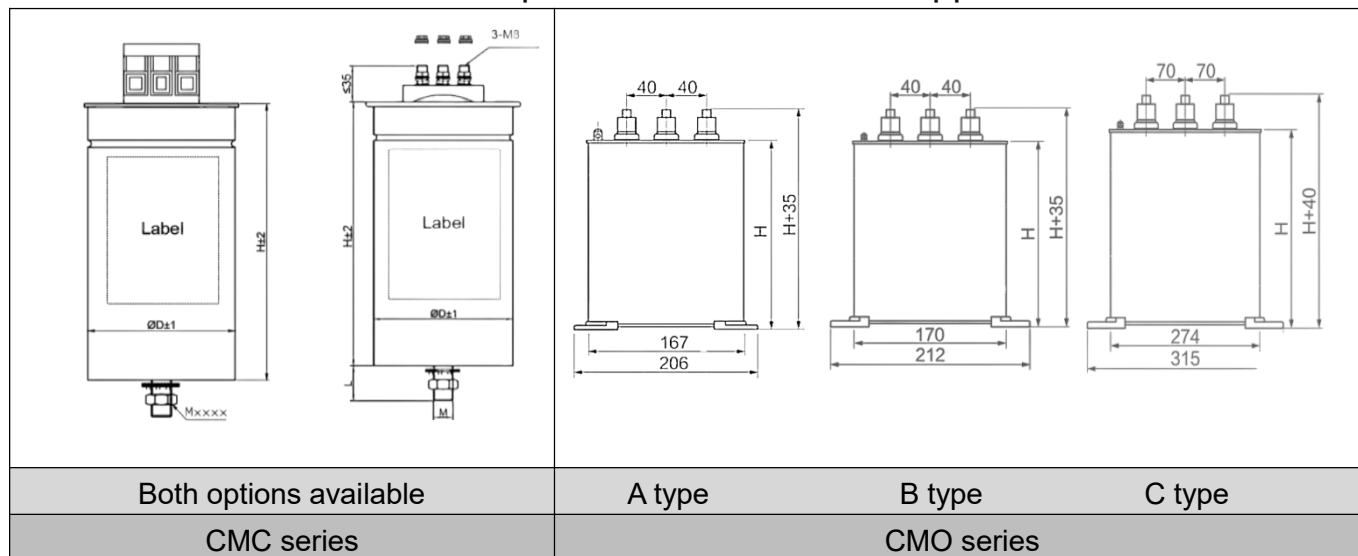
OUTLINE DRAWING



Low-voltage Self-healing Shunt Capacitor



CMC/CMO series PFC power factor correction application



COMMON DESIGN

----- CMC SERIES (Cylindrical type)

Rated Power	Rated Voltage	Capacitance	Rated current	Diameter x Height
KVAR @50Hz	U_{nac} (V)	C_n (µF)	I_n (A)	D x H (mm)
7.5	400	149.3	10.8	76x240
10		199.0	14.4	76x240
12		238.9	17.3	86x240
15		298.6	21.7	86x240
20		398.1	28.9	86x290
25		497.6	36.1	96x290
30		597.1	43.3	106x290
40		796.2	57.7	116x290
50		995.2	72.2	136x290
7.5	450	118.0	9.6	76x160
10		157.3	12.8	76x240
15		235.9	19.2	86x240
20		314.5	25.7	86x240
25		393.2	32.1	86x290
30		471.8	38.5	96x290
40		629.1	53.1	106x290
50		786.3	64.2	116x290
10	480	138.2	12.0	76x240
15		207.3	18.0	86x240
20		276.5	24.1	86x290
30		414.7	36.1	106x290
40		552.9	48.1	116x290
50		691.1	60.1	136x290

Low-voltage Self-healing Shunt Capacitor



CMC/CMO series PFC power factor correction application

Rated Power	Rated Voltage	Capacitance	Rated current	Diameter x Height
KVAR @50Hz	U_{nac} (V)	C_n (μ F)	I_n (A)	D x H (mm)
10	525	115.5	11.0	76x240
15		173.3	16.5	86x240
20		231.1	22.0	86x290
30		346.6	33.0	106x290
40		462.2	44.0	116x290
50		577.7	55.0	136x290

----- CMO SERIES (Oval type)

Rated Power	Rated Voltage	Capacitance	Rated current	Height	Outline type
KVAR @50Hz	U_{nac} (V)	C_n (μ F)	I_n (A)	H (mm)	
5	400	99.5	7.2	125	A
7.5		149.2	10.8	125	A
10		198.9	14.4	180	A
12		238.7	17.3	180	A
15		298.4	21.7	210	A
20		397.9	28.9	210	B
25		497.4	36.1	210	B
30		596.8	43.3	260	B
40		796.2	57.7	330	B
50		995.2	72.2	230	C
60		1194.3	86.6	280	C

5	450	78.6	6.4	125	A
7.5		117.9	9.6	125	A
10		157.2	12.8	180	A
15		235.8	19.2	210	A
20		314.4	25.7	210	A/B
25		393.2	32.1	210	B
30		471.8	38.5	210	B
35		550.2	44.9	260	B
40		629.1	51.3	260	B
45		707.4	57.7	230	C
50		786.3	64.2	230	C
60		943.6	77.0	230	C

5	480	69	6.0	125	A
10		138	12.0	210	A
15		207	18.0	210	A
20		276	24.1	210	B
30		414	36.1	260	B
40		553	48.1	230	C
50		691	60.1	280	C
60		829	72.2	280	C

Low-voltage Self-healing Shunt Capacitor



CMC/CMO series PFC power factor correction application

Rated Power KVAR @50Hz	Rated Voltage U _{nac} (V)	Capacitance C _n (μF)	Rated current I _n (A)	Height H (mm)	Outline type
5	525	57.7	5.5	125	A
10		115.5	11.0	180	A
15		173.2	16.5	210	A
20		231	22.0	210	B
30		346.5	33.0	260	B
40		461.9	44.0	330	B
50		577.4	55.0	230	C
60		692.9	66.0	280	C
5		690	33.4	4.2	125
10	66.9		8.4	180	A
15	100.3		12.6	210	A
20	133.8		16.7	210	B
30	200.7		25.1	260	B
40	267.4		33.5	330	B
50	334.3		41.9	230	C
60	401.1		50.2	280	C
5	1200		11.0	2.4	180
10		22.0	4.8	210	A
15		33.2	7.2	245	A
20		44.2	9.6	210	B
30		66.3	14.4	230	C
40		88.4	19.2	230	C
50		110.5	21.4	230	C

* CABO reserves the right to make changes without further notice to any products herein to improve reliability, function or design.

* Other values and dimensions are available on request.

CABO is a leading brand of high reliability capacitors, providing specifically designed solutions to meet the reliability needs of industrial, military, medical and specialized applications worldwide.

As a well-known brand of China, CABO capacitors are among the world's most reliable component. Focus on High-End global markets and High reliability request fields, providing customization services. With world-class design, testing and manufacturing facilities in China, enable the quick turn-around for fast and mass delivery worldwide.

Our extensive custom design and development capabilities coupled with standardized mass production capacity offerings allow us to be a competitive option for power electronics industry.