



執行軍工標準
 幹式結構
 高的過電壓
 低 ESL
 低 ESR
 自癒合能力
 漸變金屬化層
 塑殼/膠帶，樹脂灌注
 真空灌注
 大外徑卷軸

JB/T8168-1999
 Dry type structure
 High over-voltage
 Low ESL
 Low ESR
 Self-healing
 Transition metal layer
 Plastic/tape, resin infusion
 VARI
 Outer diameter reel

ELECTRICAL CHARACTERISTICS

容量範圍	Capacitance Range	0.068 μ F ~ 3.0 μ F
使用溫度	Operating Temperature	-40°C ~ +70°C
容量偏差	Capacitance Tolerance	$\pm 5\%$ (J); $\pm 10\%$ (K)
額定電壓	Rated Voltage	1200 ~ 50kV.DC
耐電壓	Test Voltage between Terminal	1.5Un 10s
極殼耐壓	Test Voltage between Terminal/Case	/
絕緣電阻	Insulation Resistance	R*C \geq 5000S(100VDC, 60S)
海拔	Max.Altitude	<2000m
阻燃性	Flame Resistance	UL 94V-0
電極扭矩	Max Torque of terminals	6Nm
安裝扭矩	Max Torque of installation	/
預期壽命	Lifetime Expectancy	\geq 100,000Hours (Un \leq 70°C) / > 5000 shots
失效率	Failure	50FIT

TYPICAL APPLICATION

It can be widely used in:

Medical equipment/ Insulation tester / high-voltage tester/ impulse current generator / impulse voltage generator/ magnetizing equipment

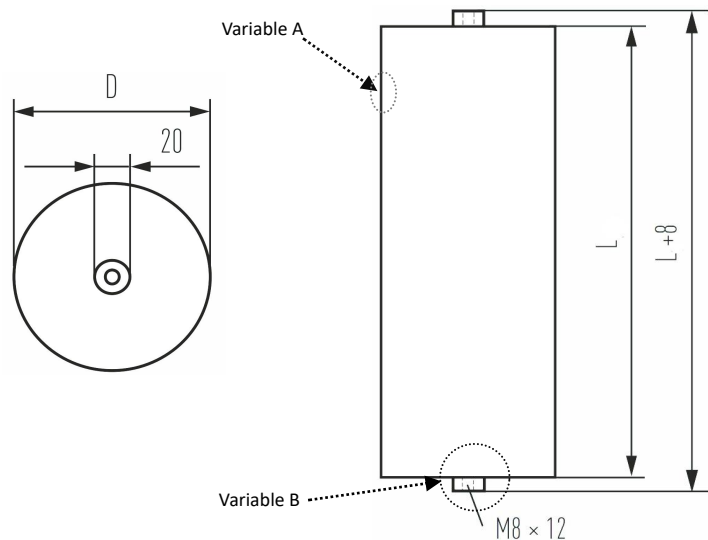
for HV pulse&energy storage application.

應用於:

醫療設備 / 絕緣測試設備 / 高壓測試設備 / 脈衝電流發生器 / 脈衝電壓發生器 / 磁化設備 等高壓脈衝和儲能應用。

OUTLINE DRAWING

Variable A	Variable B
Case material	Bolt
Mylar tape/plastic case	M6*8/M8*12/M12*16



COMMON DESIGN (mm)

Un(Rated Voltage)	Un	Cn	ΦD	L	I _{rms} (A)	ESL(nH)
2000~3600VDC	2300	80μF	64	355	50	80
	2300	170μF	90	355	90	100
	3000	18μF	90	150	65	50
	3000	80μF	90	255	60	60
	3200	33μF	90	200	70	50
	3600	80μF	116	245	90	40
4000~8000VDC	4000	0.68μF	50	50	20	25
	4000	1.0μF	50	60	25	20
	4000	3.0μF	64	76	25	30
	5000	0.68μF	80	70	30	25
	5000	1.5μF	50	90	25	25
	5000	4.5μF	64	150	20	25
	5600	1.0μF	64	120	20	20
	6300	20μF	90	355	25	100
	8000	0.68μF	80	70	20	25
	8000	5μF	90	220	50	80
	8000	10μF	90	320	50	100
8500~15000VDC	8500	0.22μF	64	165	20	50
	8500	1.0μF	96	165	25	50
	9300	9.0μF	90	355	20	100
	10000	0.25μF	64	165	10	80
	10000	0.68μF	80	70	20	25
	10000	10μF	90	355	25	100
	12500	0.22μF	64	200	20	80
	12500	1.0μF	116	200	35	80
	14000	5μF	116	355	30	100
	15000	1.0μF	64	285	15	100
15000	2.0μF	90	285	20	200	
20000~50000VDC	20000	0.068μF	130	45	10	25
	20000	1.0μF	110	180	60	100
	20000	1.5μF	90	355	34	100
	30000	0.1μF	180	90	10	25
	30000	1.0μF	90	435	20	80
	30000	5.0μF	140	710	35	200
	35000	0.2μF	90	435	20	80
	40000	2.2μF	140	630	35	180
	50000	0.5μF	140	710	35	200

(Customization available)

注：以上參數僅作參考，請以實際圖紙為準。規格較多，無法一一列出，有疑問請聯繫您的客服。

Note: The above parameters are just for your reference only, the details please check your specification.

Specifications subject to change without notice.